

# VICI HINGE - ZAMAK w/ SS LINKAGE - 180°

- high quality furniture fittings



Material: Body: Zamak  
 Linkage: Stainless Steel (SS)  
 Finish: Body: Stainless Steel look- Brushed  
 Linkage: Plain

\*All measurements in mm

Incl. 4 CSK chip board screws

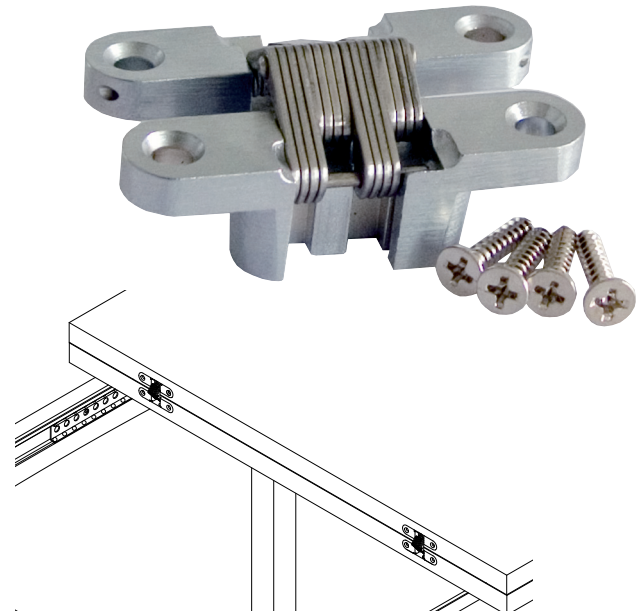
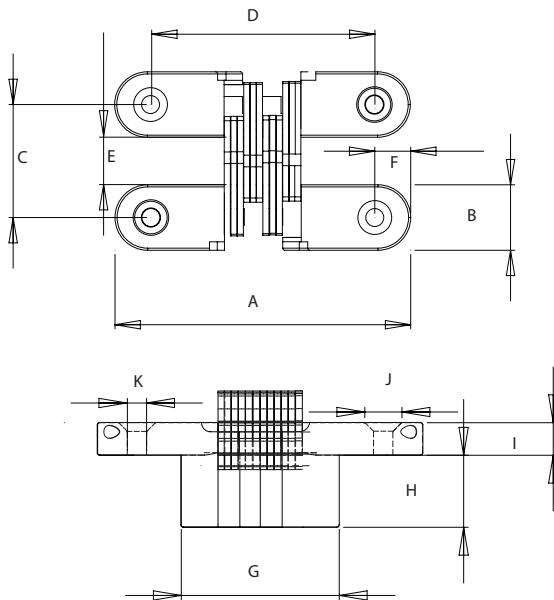
Door thickness	A	B	C	D	E	F	G	H	I	J	K	Item No.
19-24	45 mm	13	20,5	31,6	8	6,7	18,8	12	5	6,6	4	15.07.120
19-24	60 mm	13	21,5	47,2	9	6,5	32	12	6	7,7	5	15.07.121
22-26	70 mm	16	26,5	54	10,5	8	34	15,5	7	8	5	15.07.122
28-34	95 mm	19	32	75	13	10	52	17	10	10	6	15.07.123
* 35-45	118 mm	27	50	89	23	14,5	65	28	12	11,5	6,5	15.07.124
* 48-51	139 mm	34,5	44,8/79,6	104/ 114	27,5	17,5/ 12,55	75	37	12	11,5	6,5	15.07.125

\*

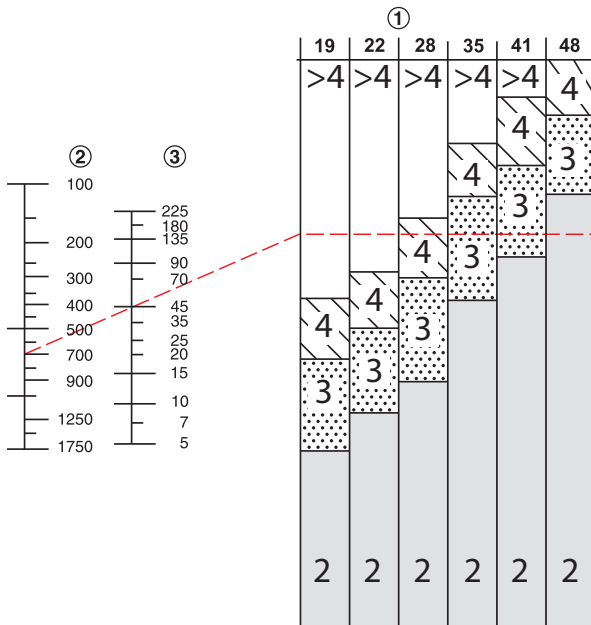
\*

\*

For heavy duty doors



Number of hinges per door



① Door thickness in mm

② Door width in mm

③ Door weight in kg

Example:

A door 700 mm wide that weighs 45 kg and has a thickness of 41 mm would require 3 concealed hinges

Item No.: #15.07.124